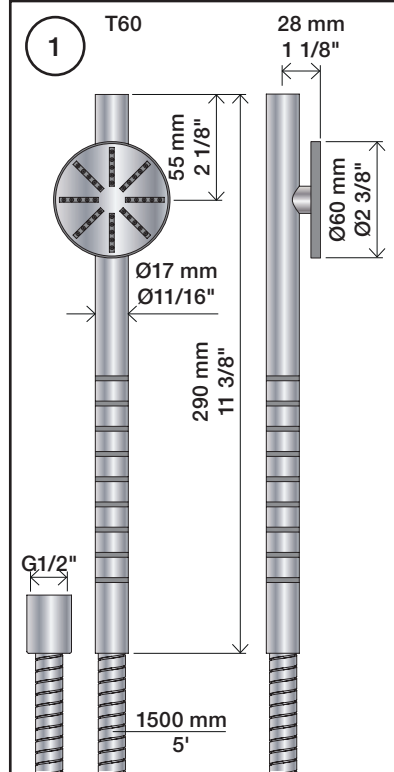
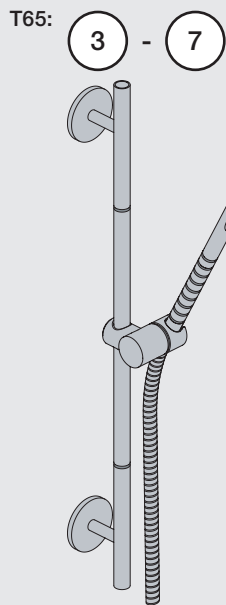
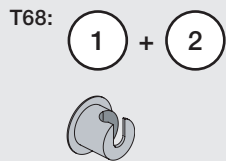
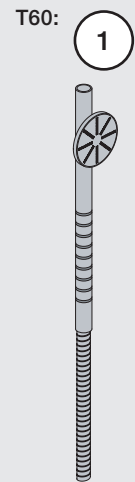


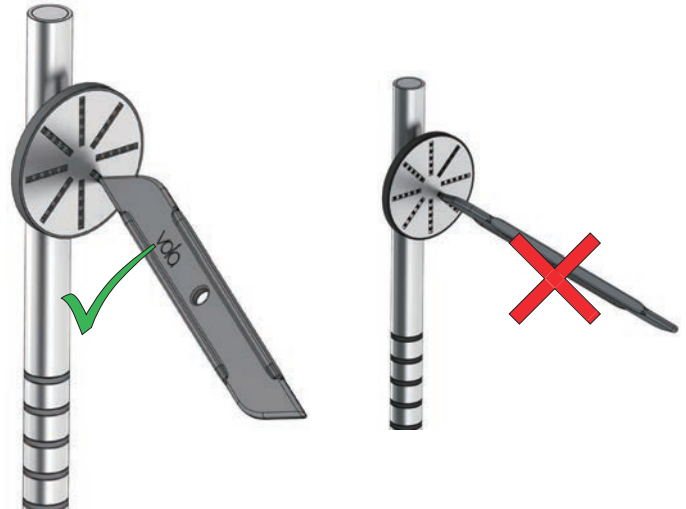
Fitting instruction
 Montageanleitung
 Monteringsvejledning
 Monteringsvægledning
 Montage hanleiding
 Manuel de montage



| Data | Bar: | 1 | 2 | 3 | 4 | 5 |
|------------------|----------------------|------------|------------|-----------|-----------|-----------|
| T60 | (l/min) (Gal/min) | 6.9 1.8 | 9.8 2.6 | 12 3.2 | 14 3.7 | 15 4.1 |
| Max. 65°C. 150°F | | | | | | |

USA: Max. flow rate:
 1.6 Gal/min
 6.0 l/min.

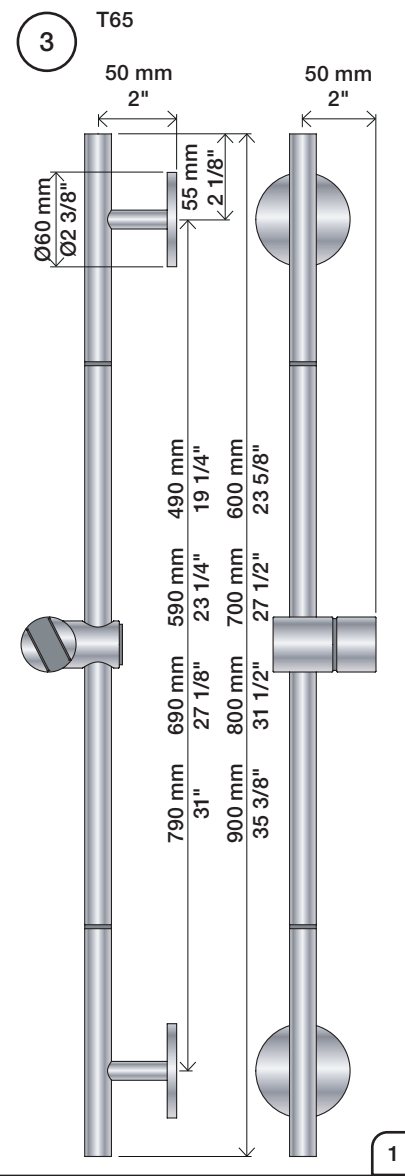
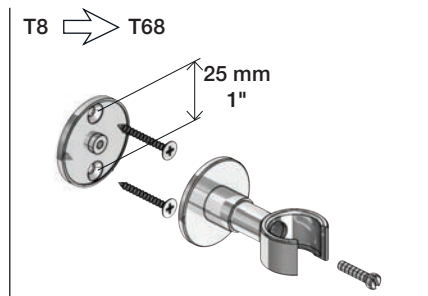
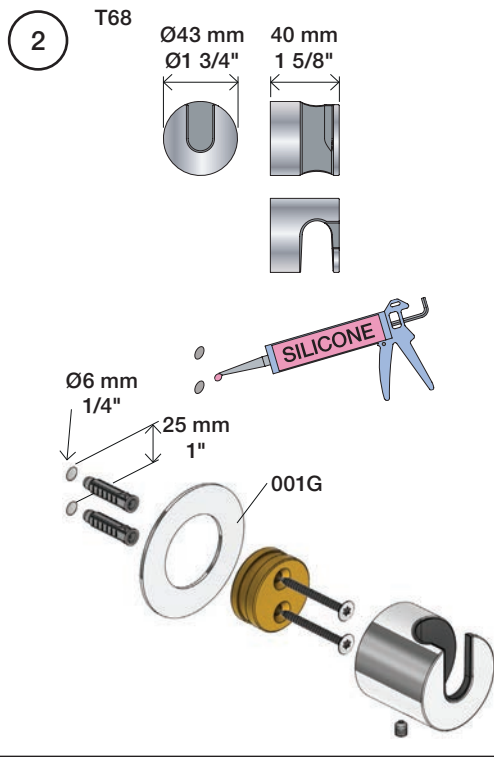
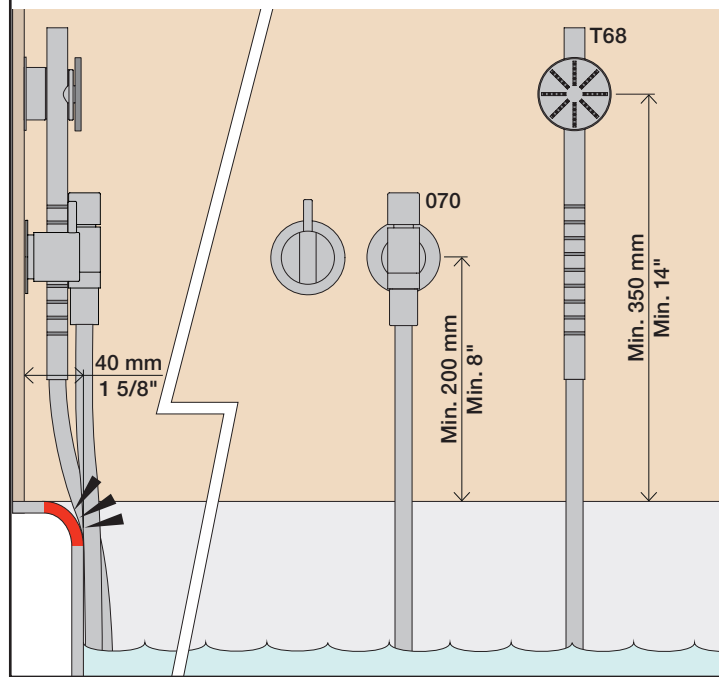
Service - VR556



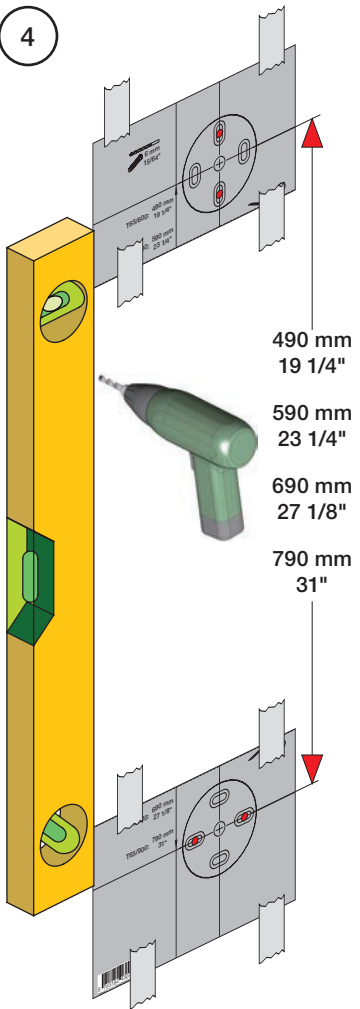
Bathtub
Badewanne

Badekar
Badkar

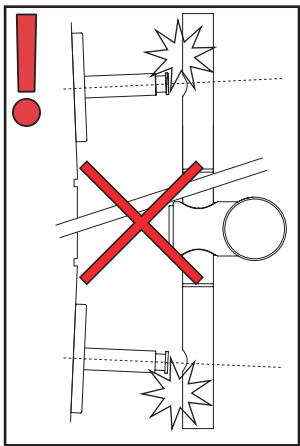
Badkuip
Baignoire



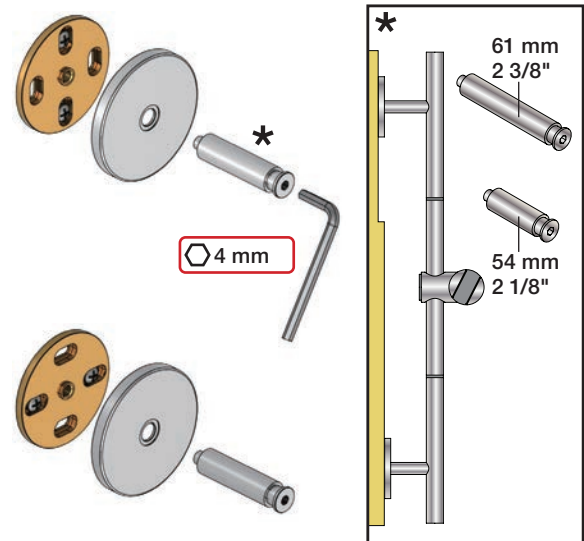
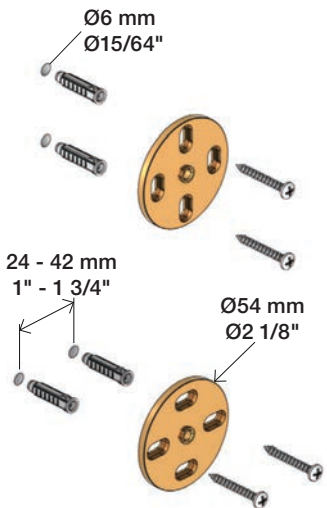
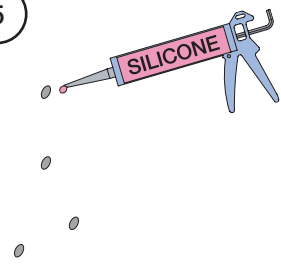
4



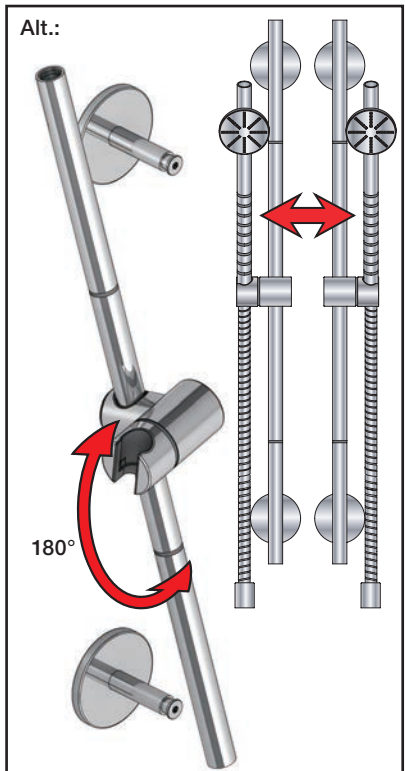
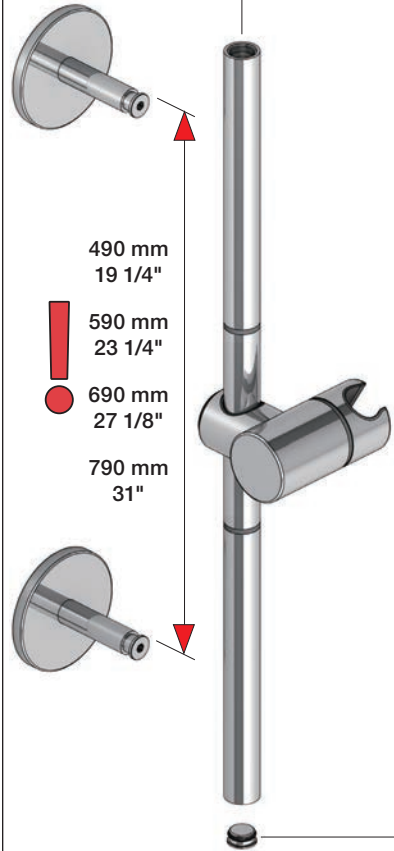
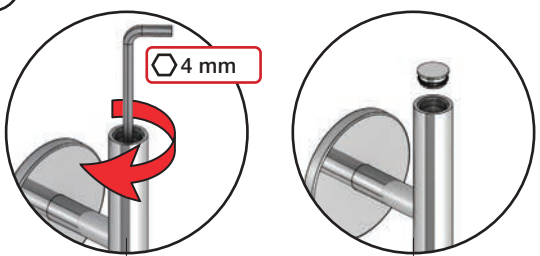
490 mm
19 1/4"
590 mm
23 1/4"
690 mm
27 1/8"
790 mm
31"



5



6

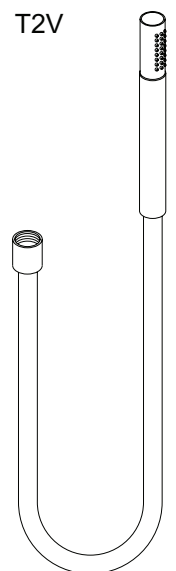
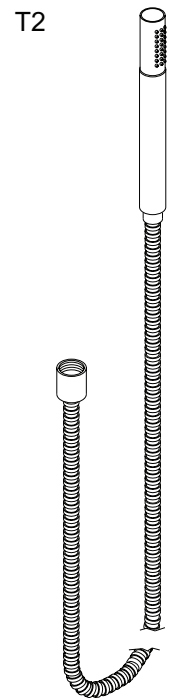


7



8





VR1020K: VR20A, VR22, VR1020, VR1022
 VR2019: VR20A, VR22, VR1019, VR1020, VR1022



vola
 Lunavej 2
 DK-8700 Horsens
 Tlf : + 45 7023 5500
 sales@vola.com
 www.vola.com

VOLA 070, 070R 070-HT2

Date
 Apr. 21

Rev.
 5

Sheet
 SB 16