

| |
|--|
| |
|--|

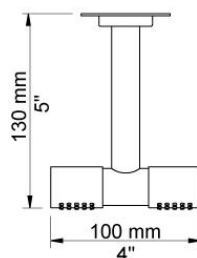
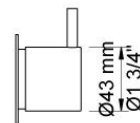
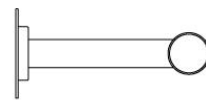
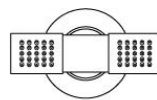
| |
|---|
| : |
| : |
| : |



2281D

| | Bar: | 1.0 | 2.0 | 3.0 | 4.0 | 5.0 |
|---------------------|-------------|------------|------------|------------|------------|------------|
| 2281D ¹⁾ | (l/min) | 11.6 | 16.3 | 20.0 | 23.1 | 25.8 |

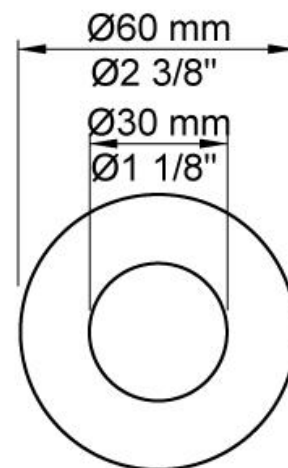
¹⁾ USA: Flow restricted to 1.8 gpm (7.0 l/min)



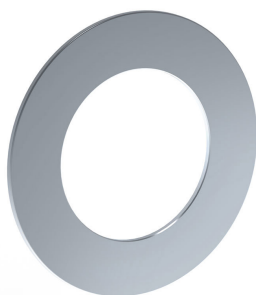
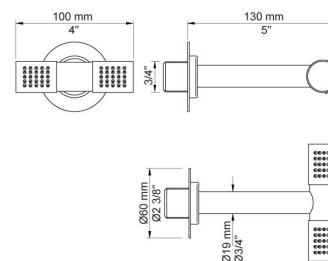
| | |
|---------------------------|-----------------------------------|
| | Color 20, Brushed chrome |
| Color 02, Grey | Color 21, Carmine red |
| Color 04, Light blue | Color 25, Pink |
| Color 05, Orange | Color 27, Matt black |
| Color 06, Light green | Color 28, Matt white |
| Color 08, Yellow | Color 40, Brushed stainless steel |
| Color 09, Dark grey | Color 60, Black |
| Color 12, Mocca | Color 61, Brushed black |
| Color 14, Bright red | Color 63, Copper |
| Color 15, Dark blue | Color 64, Brushed Copper |
| Color 16, Polished chrome | Color 65, Gold |
| Color 17, Gloss black | Color 68, Silver |
| Color 18, White | Color 70, Brushed Gold |
| Color 19, Natural brass | |



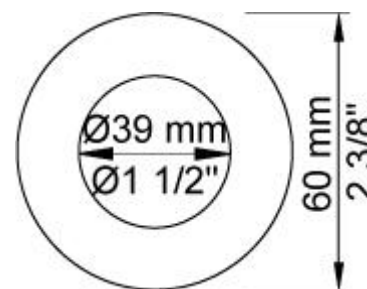
001
2 3/8" circular flange.

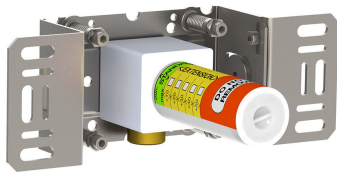


080D

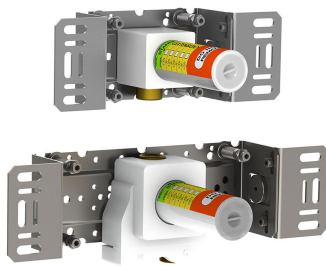
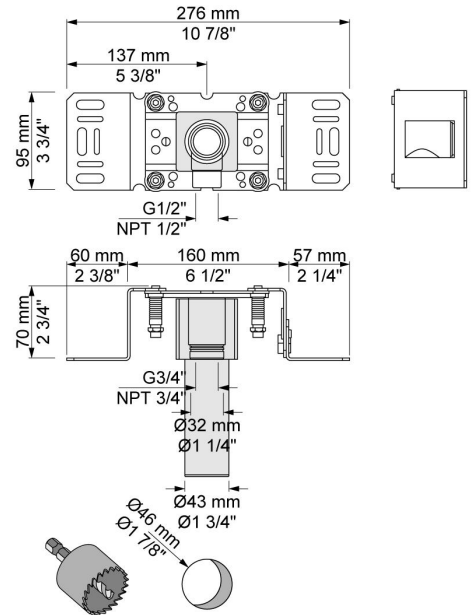


2001
2 3/8" circular flange.

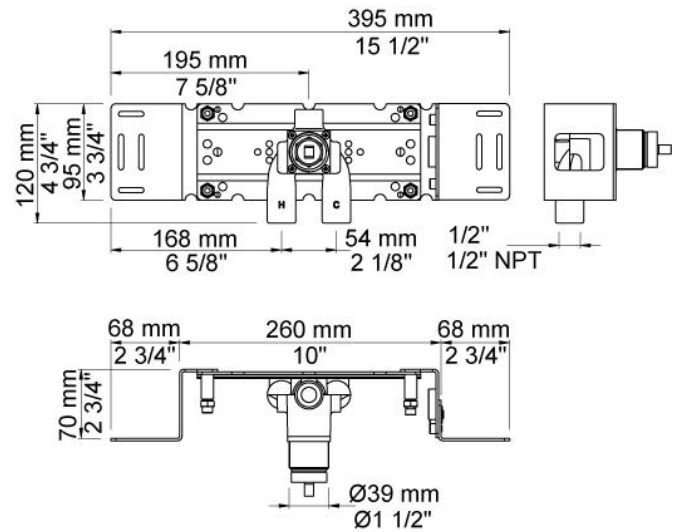




200M
Separate outlet socket. 1/2" connection NPT female inlets.



2200



NR21
Operating handle for Vola 2100, 2200, 2300 and 2400.

